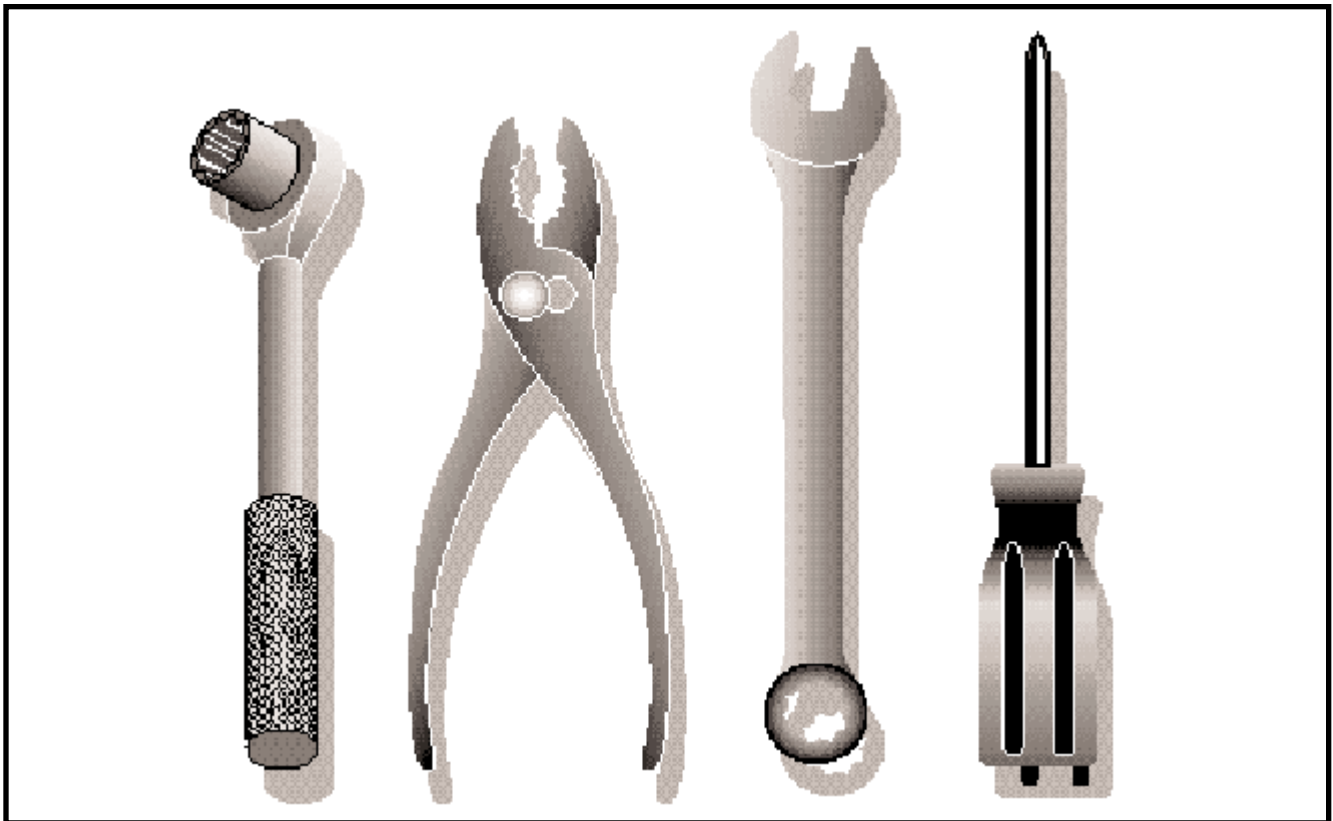


GTH 2550 XP B

954567116



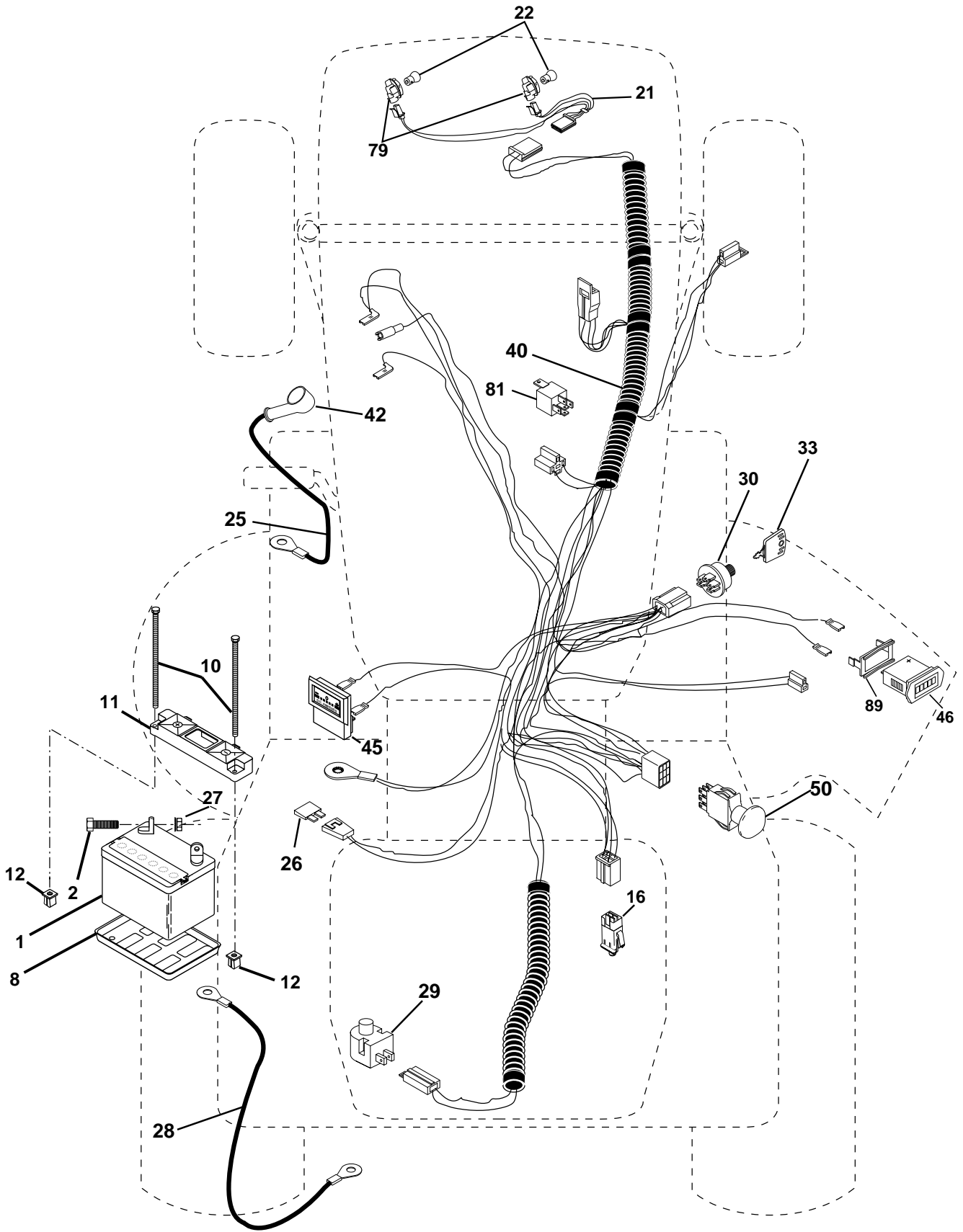
Repair Parts Manual

Ride Mower

REPAIR PARTS

TRACTOR - - MODEL NO. GTH2550XPB

ELECTRICAL



REPAIR PARTS

TRACTOR - - MODEL NO. GTH2550XPB

ELECTRICAL

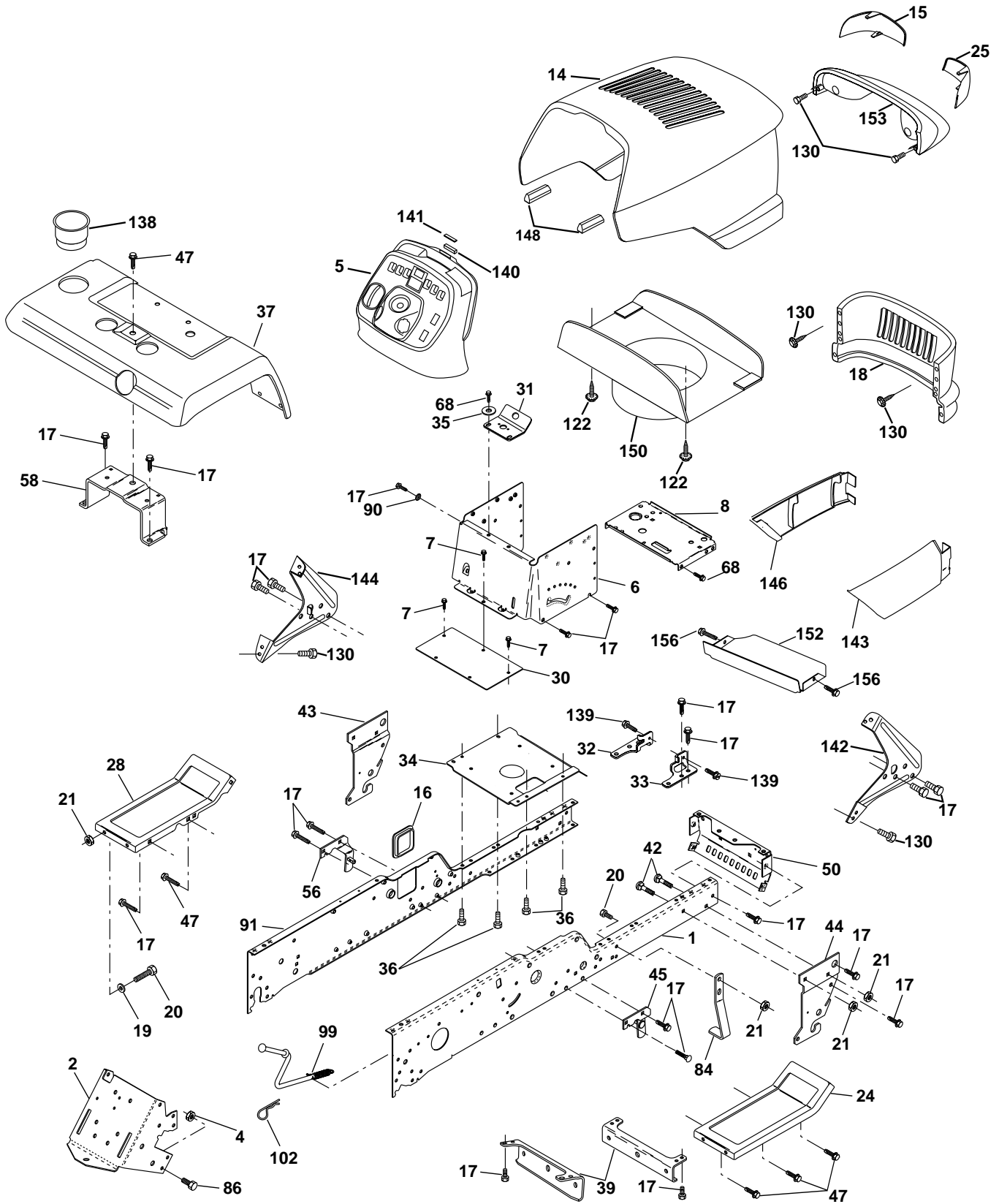
KEY NO.	PART NO.	DESCRIPTION
1	532144927	Battery
2	874760412	Bolt Hex Head 1/4-20 x 3/4
8	532124886	Tray, Battery
10	532145211	Bolt, Battery Front 1/4-20 x 7.5 Zinc
11	532150109	Holddown Battery Front Mount
12	532145769	Nut, Push Nylon 1.4" Battery Front
16	532153664	Switch Interlock Push-In
21	532166184	Harness Socket Light w/4152J
22	532004152	Bulb Light
25	532177662	Cable, Battery
26	532108824	Fuse
27	873510400	Nut Keps Hex 1/4-20
28	532170697	Cable, Ground
29	532160784	Switch, Plunger Normal Op Olive
30	532175566	Switch, Ign
33	532140401	Key
40	532170238	Harness Ign.
42	532154336	Cover, Terminal Red
45	532122822	Ammeter
46	532169635	Hourmeter Snap-In
50	532174651	Switch, PTO
79	532163996	Bulbholder Asm
81	532109748	Relay Asm.
89	532169639	Bracket Snap-In Hourmeter

NOTE: All component dimensions given in U.S. inches
1 inch = 25.4 mm

REPAIR PARTS

TRACTOR - - MODEL NO. GTH2550XPB

CHASSIS AND ENCLOSURES



REPAIR PARTS

TRACTOR - - MODEL NO. GTH2550XPB

CHASSIS AND ENCLOSURES

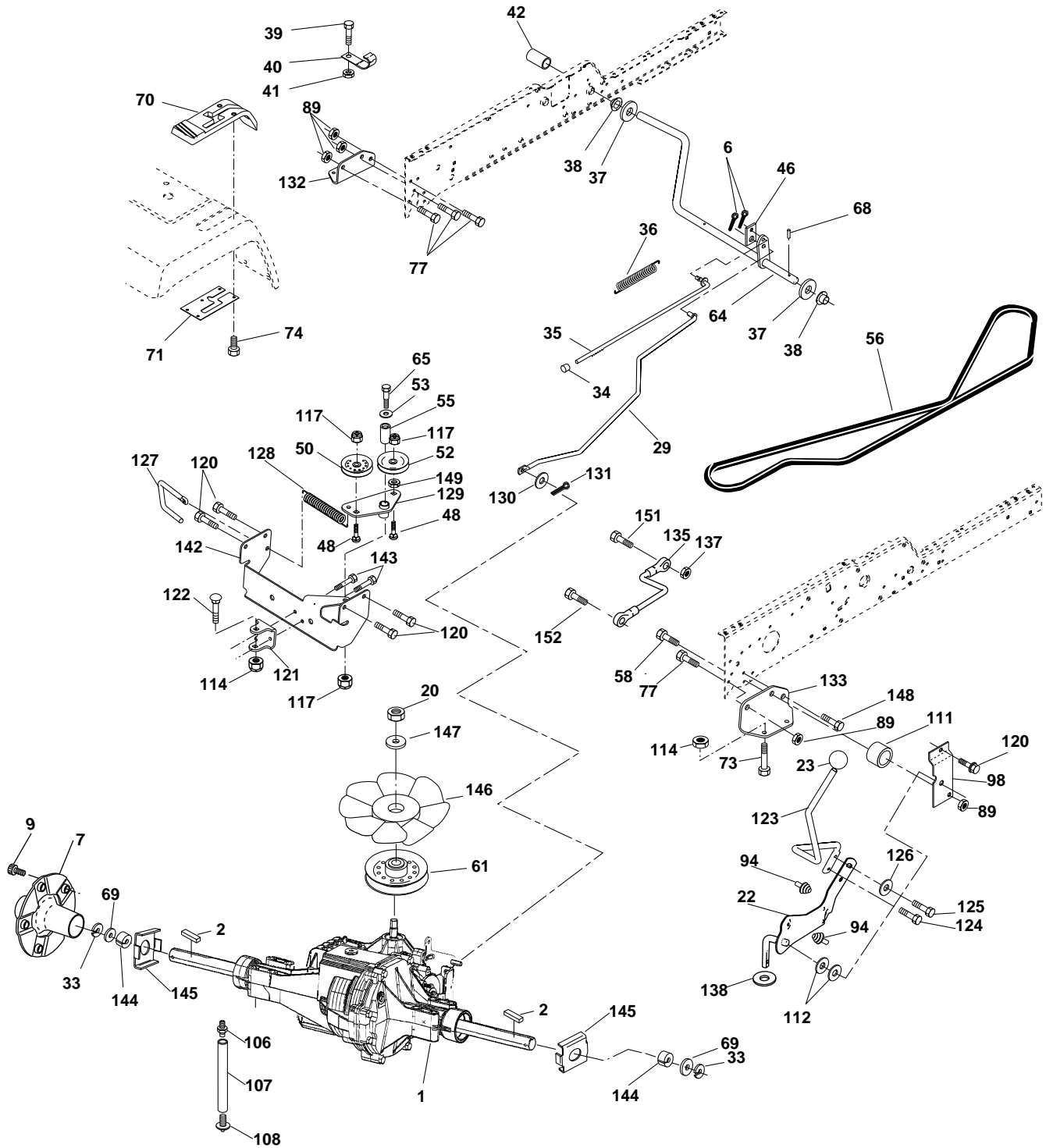
KEY NO.	PART NO.	DESCRIPTION	KEY NO.	PART NO.	DESCRIPTION
1	532175465	Rail, Frame RH	45	532154913	Bracket Asm., Susp Chassis Rh
2	532175282	Drawbar, Gt	47	817670608	Screw Thdrol 3/8-16 x 1/2
4	873800700	Nut, Lock Hex 7/16 Unc	50	532175476	Bracket, Chassis Front
5	532177582	Dash, Plastic	56	532154914	Bracket Asm., Susp Chassis Lh
6	532157882	Dash, 1PCS, Lower	58	532175315	Bracket Asm., Fender
7	817720408	Screw, Thd Cut 1/4-20 x 1/2	68	817490508	Screw, 5/16-18 x 1/2
8	532145166	Support, Battery	84	532142992	Stop, Over Center Mower
14	532177583	Hood Asm., Pnt	86	874760716	Bolt, Fin Hex 7/16-14 Unc x 1
15	532161842	Lens RH	90	811050600	Washer, Lock External Tooth 3/8
16	532121794	Cover, Access	91	532175464	Rail, Frame Lh
17	817060612	Screw, 3/8-16 x 3/4	99	532177143	Rod Asm. Bypass
18	532177584	Grille	102	532124788	Retainer Spring 1"
19	819131312	Washer 13/32 x 13/16 x 12 Ga.	122	532161464	Screw Hex WSHD 8-18 x 7/8
20	874760616	Bolt, Fin Hex 3/8-16 x 1	130	532164863	Screw Hw Hd Hi-Lo #13-16 x 3/4
21	873680600	Nut, Crownlock 3/8-16	138	532166625	Cupholder
24	532147202	Footrest, RH	139	532171873	Bolt Shoulder 5/16-18
25	532161841	Lens LH	140	532163806	Magnet Stealth
28	532147203	Footrest, LH	141	532163805	Striker Plate
30	532145052	Saddle	142	532161897	Bracket Dash Stealth RH
31	532161419	Bracket Supt 1-pc Vgt Steering	143	532177586	Skirt Grille RH
32	532161327	Bracket, Frame Pivot Lh	144	532161900	Bracket Dash Stealth LH
33	532161326	Bracket, Frame Pivot Rh	146	532177587	Skirt Grille LH
34	532177018	Plate Asm Engine Chassis	148	532164655	Extrusion Bumper
35	819111116	Washer 11/32 x 11/16 x 16 Ga.	150	532161237	Duct Heat Hood
36	817060512	Screw 5/16-18 x 3/4	152	532177956	Shield, Browning
37	532169426	Fender, Pnt.	153	532177585	Lens, Headlight Bar
39	532175278	Bracket, Axle Front	156	817060512	Screw 5/16-18 x 3/4
42	872140608	Bolt Rdhd Sqnk 3/8-16 Unc x 1			
43	532136939	Bracket, Spnsn Front Lh			
44	532136940	Bracket, Spnsn Front Rh			

NOTE: All component dimensions given in U.S. inches
1 inch = 25.4 mm

REPAIR PARTS

TRACTOR - - MODEL NO. GTH2550XPB

GROUND DRIVE



REPAIR PARTS

TRACTOR - - MODEL NO. GTH2550XPB

GROUND DRIVE

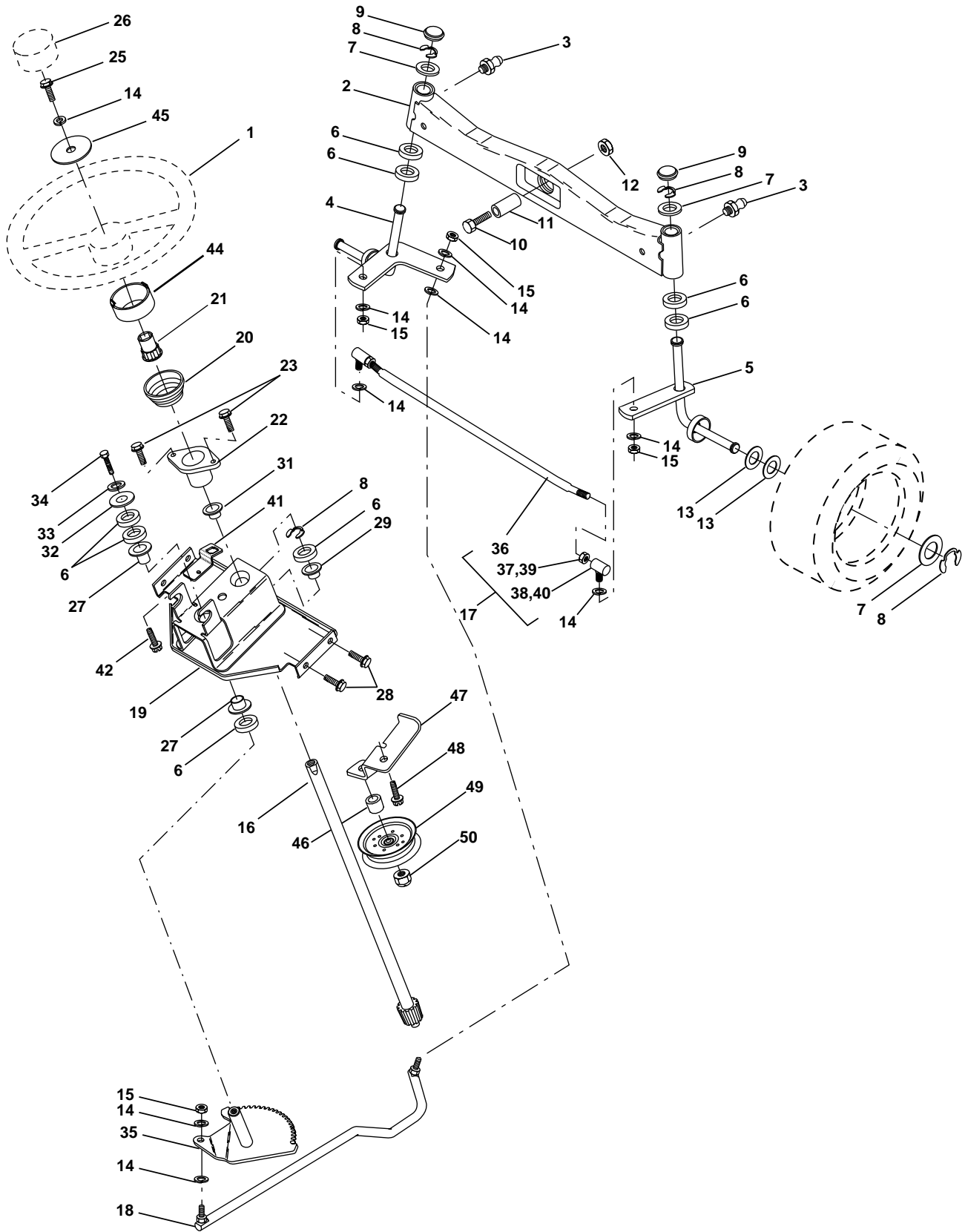
KEY NO.	PART NO.	DESCRIPTION	KEY NO.	PART NO.	DESCRIPTION
1	-----	Transaxle Hydro Gear 331-3000 (Order Parts From Transaxle Manufacturer)	89	873680700	Nut Crownlock 7/16-14 Unc
2	532124762	Key Sq. 1/4 x 1/4 x 2	94	532133835	Fastener Christmas Tree
6	876020412	Pin, Cotter	98	532141004	Bracket Shift
7	532140507	Wheel, Hub Assembly	106	532142918	O-Ring Asm Hydro Gear
9	532140080	Bolt, Hub	107	532154739	Line Fuel Hydro 15" VGT
20	873940800	Nut	108	532142917	Cap Asm Vent Hydro Gear
22	532178391	Lever Asm Shift	111	532156240	Spacer Shift Lever VGTH
23	532140845	Knob	112	532156104	Washer Nylon High Temp
29	532176600	Brake, Rod	114	873800500	Nut Lock Hex W/Ins 5/16-18 Unc
33	812000053	Ring E	117	873900600	Nut, Lock Flg. 3/8-16
34	532071673	Cap, Parking Brake	120	817060612	Screw 3/8-16 x .75
35	532137648	Rod, Parking Brake	121	532175611	Bracket Strap Torque
36	532149412	Spring, Drive Ground	122	872110520	Bolt RDHDSQ 5/16-18 Unc x 2-1/2
37	532121749	Washer 25/32 x 1-1/4 x 16 Ga.	123	532176602	Rod Shift
38	532150035	Nyliner	124	532165492	Bolt Shoulder 5/16-18 x .561
39	874321016	Screw, Fin. #10-24 x 1	125	532166880	Screw 5/16-18 x 5/8
40	532178575	Actuator, Interlock VGT	126	532166002	Washer SRRTD 5/16 ID x 1.0 x .125
41	873931000	Nut Centerlock 10-24 Unc	127	532177362	Link Control Clutch
42	532008883	Cover, Pedal	128	532176624	Spring Drive GRND
46	532145170	Retainer, Spring	129	532178588	Bracket Asm Idler Tensioning
48	872110614	Bolt Rdhd 3/8-16 x 1.3/4 Gr. 5	130	819131016	Washer 13/32 x 5/8 x 16 Ga.
50	532131494	Pulley, Idler, Flat	131	876020312	Pin Cotter 3/32 x 3/4
52	532127783	Pulley, Idler, Grooved	132	532175467	Bracket Mtg Hydro 3500 LH VGT
53	532000207	Washer, Hardened	133	532175468	Bracket Mtg Hydro 3500 RH VGT
55	532105706	Bearing, Idler	135	532177364	Link Asm Control Hydro 3500
56	532161597	V-Belt	137	532001685	Nut Lock 5/16-18 NC Thd.
58	874760724	Bolt Fin Hex 7/16-14 x 1-1/2	138	532001370	Washer Thrust 5/8 x 1.10 x 1/32
61	532143995	Pulley, Transaxle	142	532175469	Strap Torque HG-3500
64	532176601	Shaft, Brake Pedal	144	532160849	Washer Spacer Axle HG-3000
65	532067609	Bolt, Shoulder	145	532163168	Washer Axle Flange HG-3000
68	532005142	Pin, Roll	146	532140462	Fan 7" Hydro
69	532123800	Washer	147	532141322	Washer
70	532166624	Console Automatic YT/GT	148	817060616	Screw 3/8-16 x 1.0
71	532151179	Plate Console Shift	149	819131410	Washer 13/32 x 7/8 x 10 Ga.
73	874490548	Bolt Hex Flghd 5/16-18 x 3 Gr5	151	532178507	Retainer Stud 5/16
74	532142432	Screw Hex Wsh. Hi-Lo 1/4-1/2	152	532178705	Bolt Hex 5/16 x 1 W/Patch
77	874760716	Bolt Fin Hex 7/16-14 x 1			

NOTE: All component dimensions given in U. S. inches 1 inch = 25.4 mm

REPAIR PARTS

TRACTOR - - MODEL NO. GTH2550XPB

STEERING ASSEMBLY



REPAIR PARTS

TRACTOR - - MODEL NO. GTH2550XPB

STEERING ASSEMBLY

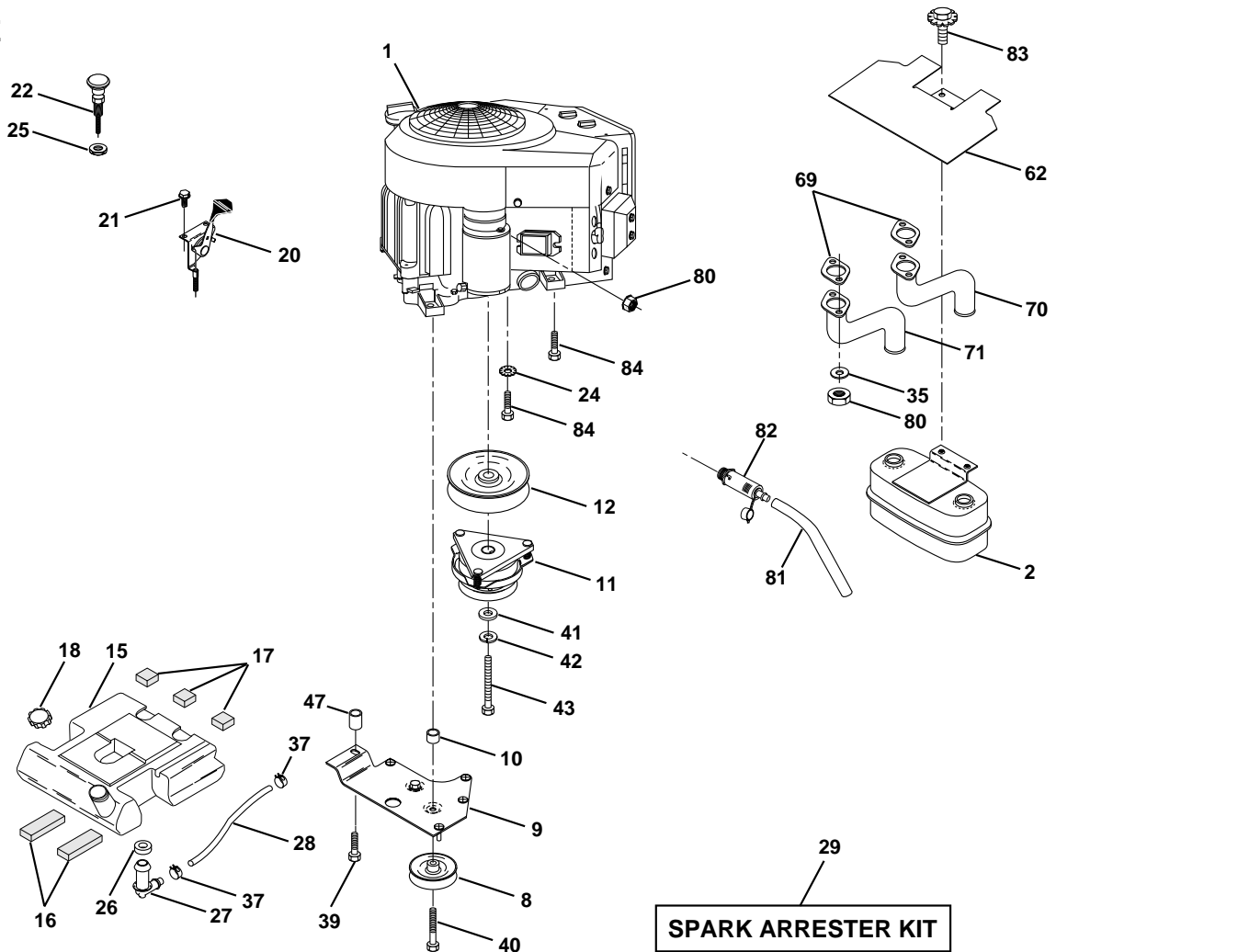
KEY NO.	PART NO.	DESCRIPTION
1	532166627	Wheel, Steering
2	532178557	Axle Asm., Front
3	532124836	Fitting, Grease
4	532161849	Spindle Asm, LH
5	532161848	Spindle Asm., RH
6	532124931	Bearing, Race Thrust Harden
7	532121748	Washer 25/32 x 1-5/8 x 16 Ga.
8	812000029	Ring, Klip#T5304-75
9	532121232	Cap, Spindle
10	874781044	Bolt, Fin Hex 5/8-11 x 2-3/4
11	532136518	Spacer Brg Axle Front 1.570
12	873901000	Nut, Lock Flange 5/8-11 Unc
13	532121749	Washer 25/32 x 1-1/4 x 16 Ga.
14	810040600	Washer, Lock Hvy Hlcl Spr 3/8
15	532124701	Nut Lock Center 3/8-24 Unf
16	532145103	Shaft Asm., Steering
17	532137347	Rod Asm., Tie Ball J Ball Vgt (Inc. Key No. 36-40)
18	532175572	Draglink, Ball Joint Solid Vgt
19	532156011	Support Asm., Steering Vgt
20	532177592	Boot Steering
21	532159945	Adapter, Wheel Steering
22	532155105	Bushing, Strg.
23	532152927	Screw
25	874780616	Bolt, Fin Hex 3/8-16 x 1 Gr. 5
26	532166626	Cap, Wheel Steering
27	532124937	Bearing, Col. Strg.
28	817000612	Screw 3/8-16 x 3/4
29	532104239	Bearing, Flange
31	532138136	Bushing, Nyliner Snap
32	819111610	Washer 11/32 x 1 x 10 Ga.
33	810040500	Washer, Lock Hvy Hlcl Spr 5/16
34	874780512	Bolt, Hex Hd 5/16-18 x 3/4
35	532138059	Gear, Sector Steering
36	532137156	Tie Rod
37	873360600	Jam Nut RH Thread
38	532109850	Joint Asm. Ball RH Thread
39	873700600	Nut Hex Jam 3/8-24 UNF LH
40	532109851	Joint Asm Ball RH
41	532155246	Bracket Switch Inerlock VGT97
42	817490508	Screw 5/16-18 x 1/2
44	532177593	Extension Steering Premium
45	819132411	Washer 13/32 x 1-1/20 x 11 Ga.
46	532178291	Spacer 407 x 625 x 500
47	532177863	Bracket Asm. Idler
48	817060612	Screw 3/8-16 x .75
49	532131494	Pulley Idler Flat
50	873900600	Nut Lock Flg 3/8-16 Unc

NOTE: All component dimensions given in U.S. inches
1 inch = 25.4 mm

REPAIR PARTS

TRACTOR - - MODEL NO. GTH2550XPB

ENGINE



KEY NO.	PART NO.	DESCRIPTION
1	-----	Engine Kawasaki, Model No. FH721V (Order parts from engine manuf.)
2	532149723	Muffler Side
8	532121361	Pulley V-Idler
9	532177748	Keeper Asm. Belt Engine VGT
10	532175287	Bushing
11	532170056	Clutch Electric
12	532143996	Pulley Engine VGT Elect Clutch
15	532151346	Tank Fuel Rear 3.50
16	532109227	Pad Spacer
17	532106082	Pad Spacer
18	532161493	Cap Fuel
20	532178147	Control Throttle
21	532164863	Screw Hex Thd Cut 1/4 - 20 X 5/8
22	532178148	Control Choke
24	811050600	Washer Ext Tooth 3/8
25	873920600	Nut Keps 3/8-24 Unf
26	532003645	Bushing
27	532139277	Stem Tank Fuel
28	532007834	Fuel Line

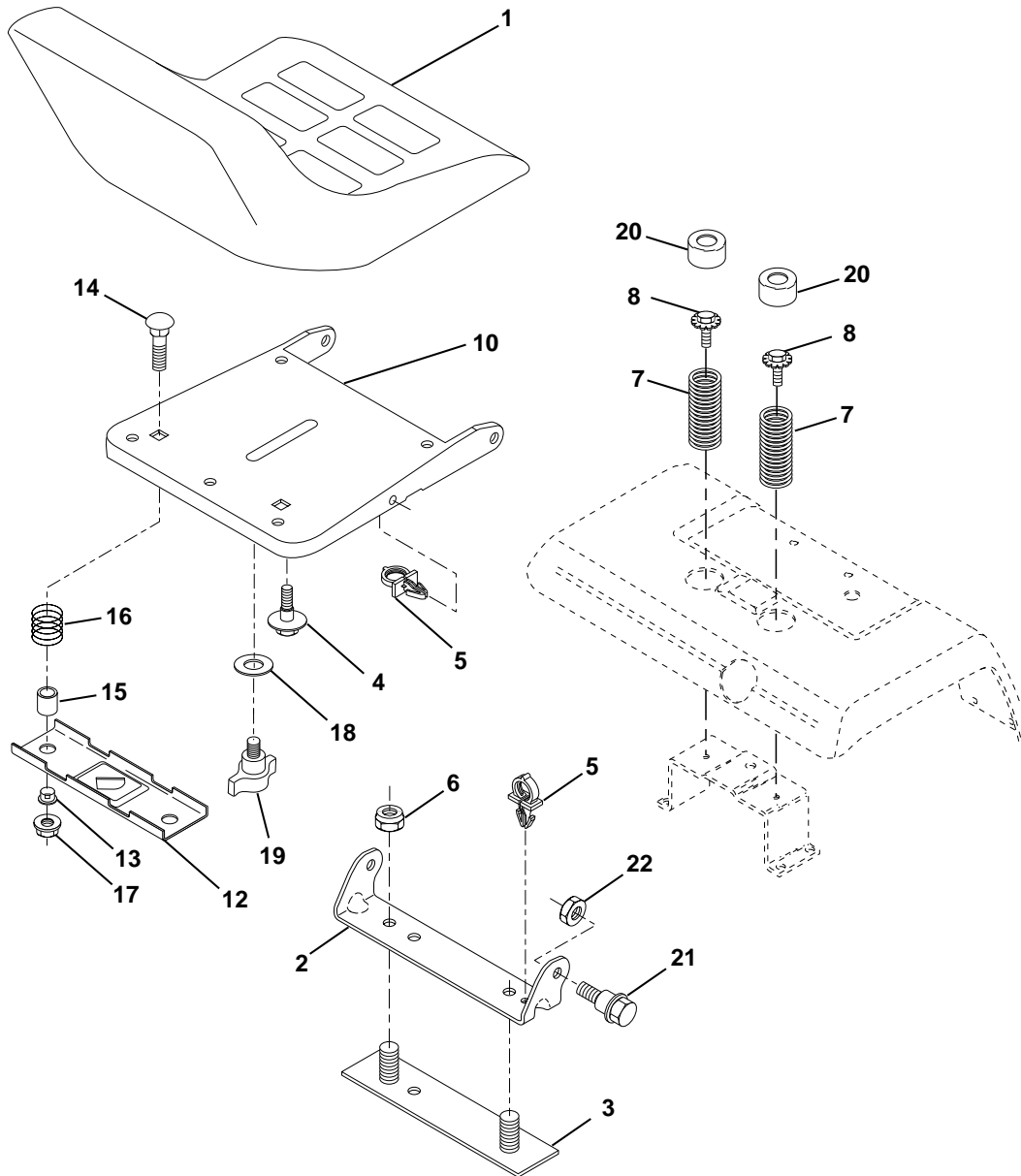
KEY NO.	PART NO.	DESCRIPTION
29	532137180	Spark Arrester Kit
35	810010500	Washer
37	532123487	Clamp Hose
39	817490636	Screw TT 3/8-16 x 2-1/4 UNC
40	817490664	Screw TT 3/8-16 x 4 UNC
41	532126197	Washer 1-1/2 OD X 15/32 ID X .250
42	810040700	Washer Lock 7/16
43	532173937	Bolt Hex 7/16-20 X 4-1/4 Ga 5
47	532175288	Bushing
62	532176252	Shield Heat Muffler
69	532178151	Gasket
70	532175766	Tube Exhaust LH
71	532175767	Tube Exhaust RH
80	532163305	Nut Flange M8-1.25
81	532148456	Tube Drain Oil Easy
82	-----	Plug Oil Drain (Order From Engine Mfr.)
83	532171877	Bolt 5/16-18unc X 1-3/4 W/Sems
84	817060624	Screw 3/8-16 x 1-1/2

NOTE: All component dimensions given in U.S. inches
1 inch = 25.4 mm

REPAIR PARTS

TRACTOR - - MODEL NO. GTH2550XPB

SEAT ASSEMBLY



KEY NO.	PART NO.	DESCRIPTION
1	532141525	Seat
2	532140551	Bracket, Pivot Seat
3	532140675	Strap, Fender
4	532127018	Bolt, Shoulder 5/16-18 X .62
5	532145006	Clip, Push In Hinged
6	873800600	Nut, Crownlock 3/8-16
7	532124181	Spring, Seat Cprsn
8	532171877	Bolt 5/16-18 UNC X 3/4
10	532174894	Pan, Seat
12	532121246	Bracket, Mounting Switch
13	532121248	Bushing, Snap

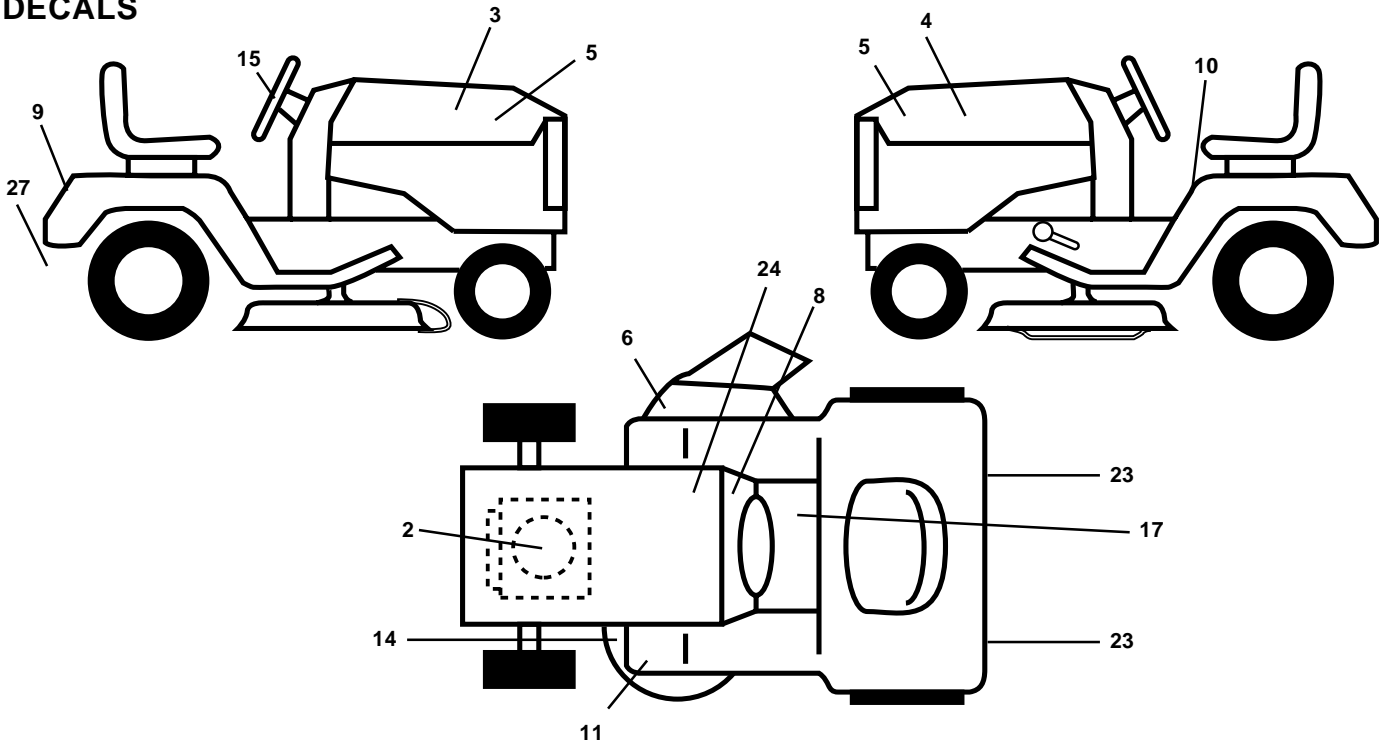
KEY NO.	PART NO.	DESCRIPTION
14	872050412	Bolt, Carriage 1/4-20 X 1-1/2
15	532121249	Spacer, Split
16	532123740	Spring, Cprsn
17	532123976	Nut, Lock 1/4 Lge Flg Gr. 5
18	819171912	Washer 17/32 X 1-3/16 X 12 Ga.
19	532166369	Knob, Seat
20	532124238	Cap, Spring Seat
21	532171852	Bolt, Shoulder 5/16-18
22	873800500	Nut, Crownlock 5/16-18

NOTE: All component dimensions given in U.S. inches
1 inch = 25.4 mm

REPAIR PARTS

TRACTOR - - MODEL NO. GTH2550XPB

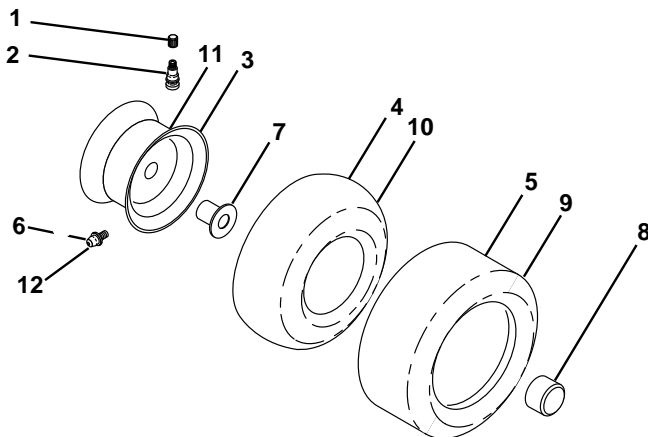
DECALS



KEY NO.	PART NO.	DESCRIPTION
2	532177737	Decal, Engine
3	532177746	Decal, Hood, RH
4	532177747	Decal, Hood, LH
5	532176871	Decal, Side Panel
6	532170563	Decal, Warning
8	532176864	Decal, Dash
9	532176822	Decal, Fender
10	532157140	Decal, Danger
11	532177782	Decal, Foot Rest
14	532160397	Decal, V-Belt Schematic

KEY NO.	PART NO.	DESCRIPTION
15	532170564	Decal, Ins. Strg Whl
17	532140837	Decal, Saddle Brake Parking
23	532106202	Reflector, Taillight
24	532145005	Decal, Btry Dngr/Psn
27	532166960	Decal, Drawbar
--	532138311	Decal, Handle Lift (Lift Handle)
--	532133671	Pad Footrest
--	532178489	Manual, Owner's (English)
--	532178490	Manual, Owner's (French)

WHEELS & TIRES



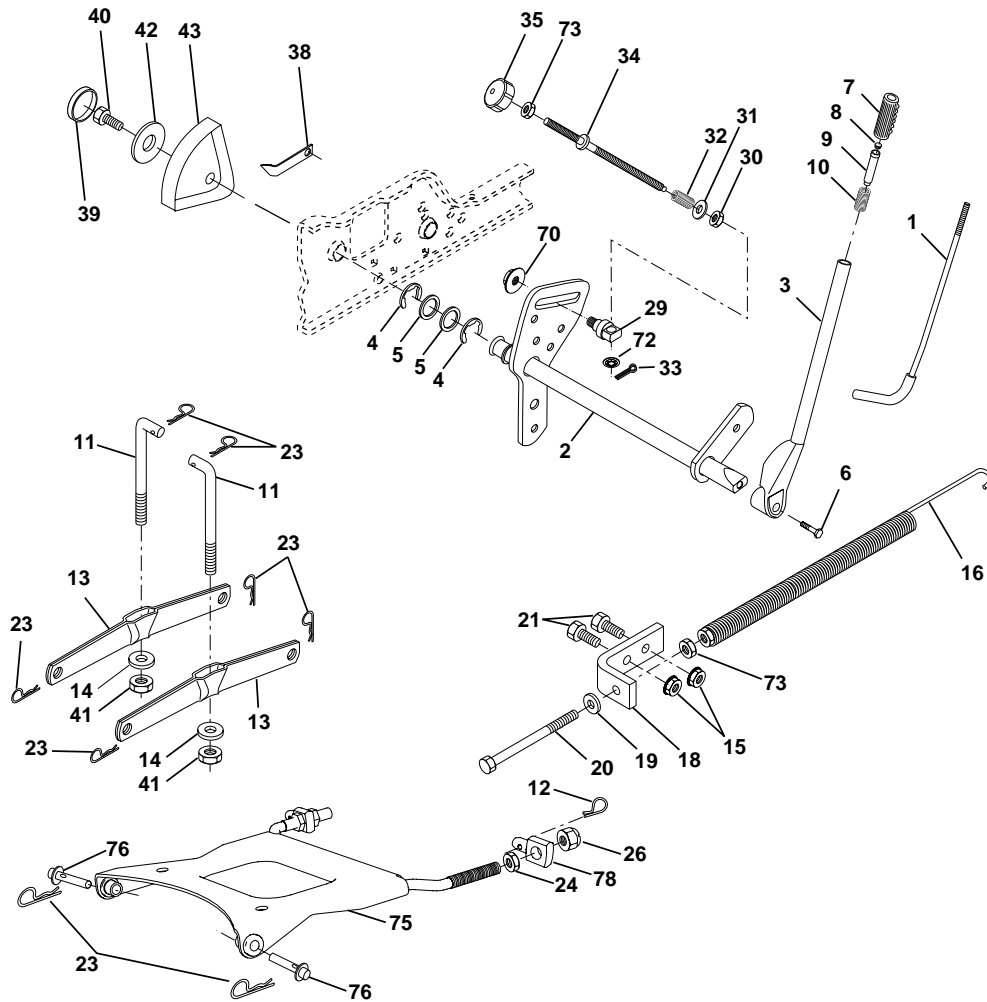
KEY NO.	PART NO.	DESCRIPTION
1	532059192	Cap, Valve, Tire
2	532065139	Stem, Valve
3	532144509	Rim Assembly, Front
4	532008134	Tube, Front (Service Item Only)
5	532106230	Tire, Front
6	532124957	Fitting, Grease
7	532124959	Bearing, Flange (Front Wheel Only)
8	532175039	Cap, Hub
9	532105588	Tire, Rear
10	532007154	Tube, Rear (Service Item Only)
11	532144510	Rim Assembly, Rear
12	532124860	Fitting, Grease
--	532144334	Sealant, Tire (10 oz. Tube)

NOTE: All component dimensions given in U.S. inches
1 inch = 25.4 mm

REPAIR PARTS

TRACTOR - - MODEL NO. GTH2550XPB

LIFT ASSEMBLY



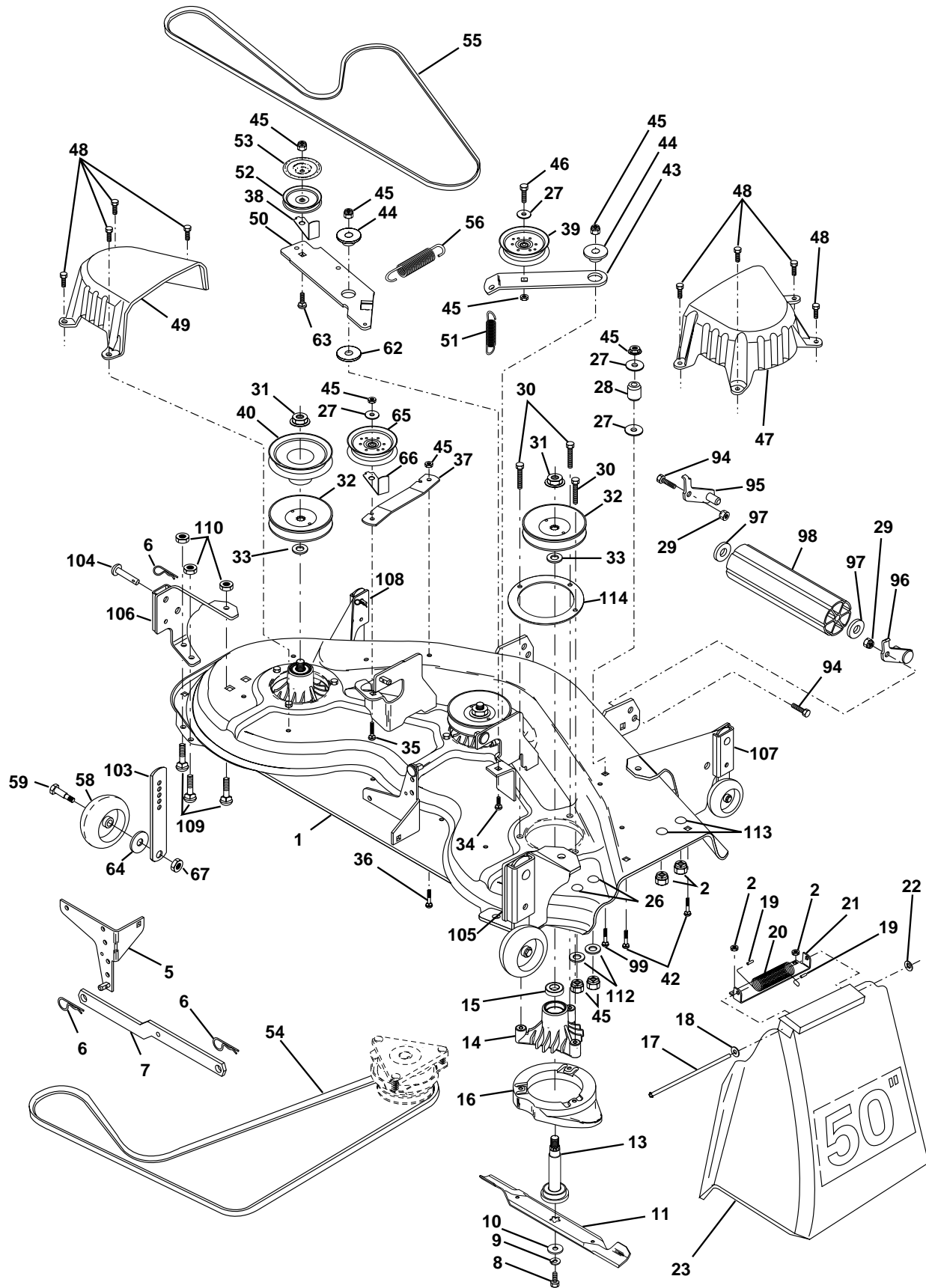
KEY NO.	PART NO.	DESCRIPTION	KEY NO.	PART NO.	DESCRIPTION
1	532121006	Rod Asm., Lever	29	532150233	Trunnion Infin Height
2	532177535	Shaft Asm., Lift Vgt	30	532110807	Nut, Special
3	532159189	Lever Asm., Lift Rh	31	819131016	Washer 13/32 x 5/8 x 16 Ga.
4	812000022	E-Ring Truarc#5133-87	32	532137150	Spring, Compression Inf Hgt
5	819292016	Washer 29/32 x 1-1/4 x 16 Ga.	33	876020308	Pin, Cotter 3/32 x 1/2
6	871110624	Bolt, Fin Hex 3/8-16 x 1-1/2	34	532137167	Rod, Adj Lift
7	532125631	Grip, Handle	35	532138057	Knob, Inf 3/8-16 Unc
8	532124526	Button, Plunger	38	532155097	Pointer Height Indicator
9	532122364	Plunger, Lever Lift	39	532123935	Plug, Hole Blk. 1.485/1.515 Dia.
10	532124874	Spring 2-1/8"	40	817060516	Screw 5/16-18 x 1
11	532146704	Link Lift	41	873540600	Nut, Crownlock 3/8-24
12	532163552	Retainer, Spring	42	819112410	Washer 11/32 x 1-1/2 x 10 Ga.
13	532139868	Arm, Suspension Vgt	43	532123934	Scale, Indicator Height
14	532169865	Bearing	70	532145212	Nut Hex Flange Lock
15	873680600	Nut, Crownlock 3/8-16	72	532110452	Nut Push Phos & Oil
16	532124687	Spring Asm., Assist Lift	73	873350600	Nut, Hex Jam 3/8-16 Unc
18	532143363	Bracket, Spring Assist	75	532175805	Plate, Asm, Susp, Front
19	819131316	Washer 13/32 x 13/16 x 16 Ga.	76	532175560	Pin Flange
20	532005328	Bolt, Adjust Spring Assist	78	532175689	Trunnion, Front, Susp
21	874760616	Bolt, Fin Hex 3/8-16 x 1			
23	532124670	Retainer, Spring			
24	873350800	Nut, Jam Hex 1/2-13 Unc			
26	873800800	Nut, Lock W/Wsh 1/2-13 Unc			

NOTE: All component dimensions given in U.S. inches
1 inch = 25.4 mm

REPAIR PARTS

TRACTOR - - MODEL NO. GTH2550XPB

MOWER DECK



REPAIR PARTS

TRACTOR - - MODEL NO. GTH2550XPB

MOWER DECK

KEY NO.	PART NO.	DESCRIPTION	KEY NO.	PART NO.	DESCRIPTION
1	532178897	Deck Asm., Mower 50"	49	532136574	Cover, Mandrel LH
2	873680500	Nut, Crownlock 5/16-18	50	532137272	Arm, Idler Primary
5	532138457	Bracket Asm., Sway Bar	51	532137273	Spring, Secondary
6	532124670	Retainer, Spring	52	532139245	Pulley, Idler V Groove
7	532130832	Arm Suspension, Rear	53	532137789	Shield, Idler
8	532850857	Bolt 3/8-24 x 1.25 Gr. 8 Patched	54	532139573	V-Belt, Mower Primary
9	810030600	Washer, Lock Hvy 3/8 Unplated	55	532144959	V-Belt, Mower Secondary
10	532140296	Washer, Hard Blade Mower Vented	56	532138687	Spring, Primary
11	532137380	Blade (3 Required)	58	532133957	Wheel, Gauge
13	532137553	Shaft Asm., W/Lower Brg	59	532137644	Bolt, Shoulder
14	532137152	Housing, Mandrel 50" Vent	62	532133943	Washer Hardened
15	532110485	Bearing, Ball Mandrel	63	872110612	Bolt Carriage 3/8-16 x 1-1/2
16	532174493	Stripper, Mower Vented	64	819121414	Washer 3/8 x 7/8 x 14 Ga.
17	532106735	Rod, Hinge	65	532173981	Pulley Idler Flat Mower
18	819111016	Washer 11/32 x 5/8 x 16 Ga.	66	532173979	Keeper, Belt Idler Plated
19	532105304	Cap Sleeve	67	873930600	Nut, Center Lock 3/8-16
20	532123713	Spring, Torison Deflector	94	874760516	Bolt H 5/16-18 x 1
21	532137607	Bracket, Deflector	95	532175746	Bracket, Asm. Noseroller LH
22	532110452	Nut, Push	96	532175747	Bracket, Asm. Noseroller RH
23	532171593	Shield, Deflector Mower	97	819171416	Washer 17/32 x 7/8 x 16 Ga.
26	872110606	Bolt RdHd Sht Sqnk	98	532132264	Roller, Nose
27	819131316	Washer 13/32 x 13/16 x 16 Ga.	99	872110614	Bolt, Carriage 3/8-16 x 1-3/4 Gr. 5
28	532132823	Spacer, Spring Stop Idler	103	532155986	Bar Adj. Gauge Wh.
29	873800500	Nut, Lock 5/16-18	104	532156941	Pin Head Rivot
30	532157722	Screw Thd Rolling Washer Head	105	532156852	Bracket Ga Wh Asm RH 50
31	532137266	Nut, Flg Top Lock Cntr 9/16	106	532156853	Bracket Ga Wh Asm LH 50
32	532173436	Pulley, Mandrel, Plated	107	532156854	Bracket Ga Wh Assy F RH 50
33	532129963	Washer, Spacer Mower Vented	108	532156856	Bracket Ga Wh Assy F LH 50
34	872140610	Bolt, Carriage 3/8-16 x 1-1/4	109	872010505	Bolt Carriage 5/16- 18 x 5/8
35	872110616	Bolt, Carriage 3/8-16 x 2	110	873980500	Nut Crownlock 5/16-18
36	872110608	Bolt, Carriage 3/8-16 x 1 Gr. 5	112	819171216	Washer 17/32 x 3/4 x 16 Ga.
37	532137166	Stiffener, Arm Idler	113	872110504	Bolt Carriage 5/16-Unc 1/2
38	532173968	Keeper, Belt Idler	114	532153183	Reinforcement Mandrel Ring
39	532173438	Pulley, Idler Flat	--	532143651	Mandrel Asm (Includes Key Nos. 8-10, 13-15, 31 and 33)
40	532173980	Pulley, Driven, Plated	--	532178346	Mower Asm Service (Std. Deck - Order separately all Nose Roller components)
42	872140506	Bolt, Carriage 5/16-18 Unc x 3/4			
43	532136460	Arm, Idler Secondary			
44	532122052	Spacer, Retainer			
45	873680600	Nut, Crownlock 3/8-16 Unc			
46	874760628	Bolt, Fin Hex 3/8-16 Unc x 1-3/4			
47	532137200	Cover, Mandrel RH			
48	532137729	Screw, Thd Roll 1/4-20 x 5/8			

NOTE: All component dimensions given in U.S. inches
1 inch = 25.4 mm